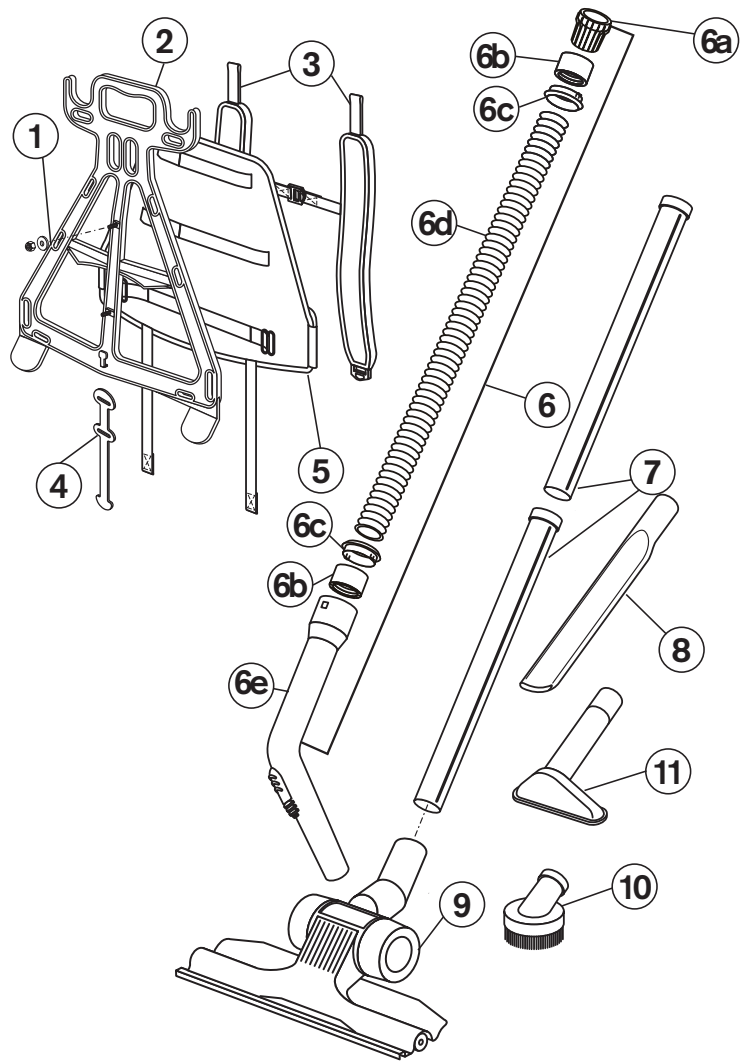


Superpro 700 Series Harness and Accessories Parts Profile



Quote these part numbers when ordering spare parts

No.	Part Name	Part No.
1.	Bolt 5x20	N/A
	Nut 5mm nyloc	N/A
	Washer 3/16 x3/4	N/A
	Washer 3/16 x7/16	N/A
2.	Carrying frame	KC120
3.	Shoulder strap pair	KC121
4.	Cord restraint	KC268
5.	Back support padding	KC263
6.	Hose complete 32mm 1.2m	KC320
6a.	Machine end connector 32mm	KC200
6b.	Hose cuff hull 32mm	UA914
6c.	Hose clip ring 32mm	UA915
6d.	Hose 32mm 1.2m	KC350
6e.	Bent hand piece 32mm	KC330
7.	Two piece wand 32mm	KC9092
8.	Crevice tool 32mm	KC911
9.	Combination floor tool with wheels 32mm x 285mm	UA908W
10.	Dusting brush 32mm	KC910
11.	Upholstery tool 32mm	KC912

Technical specifications, part numbers and parts profiles are subject to change without notice.

Optional Extras

			Part No. KC928 Powerhead set complete	Part No. KC909 Wand telescopic
Part No. UA908 Combination floor tool	Part No. UA9272 Bottom plate (suits combination floor tool)	Part No. UA917H All purpose floor tool		
Part No. UP112PB RCD Piggy back	Part No. UA926 Turbo head	Part No. UA913M Bent hand piece metal		

NOTE: Not suitable for commercial use